



# 120TW 80TW

OFF-HIGHWAY MULTI-VIEW DUMPER TRUCKS



# MULTIVIEW

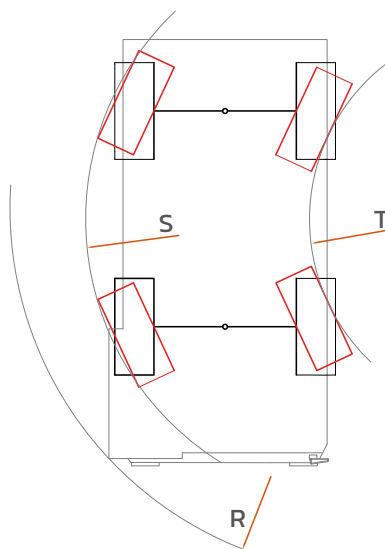
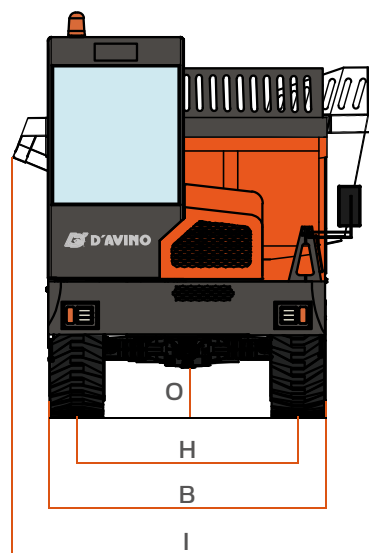
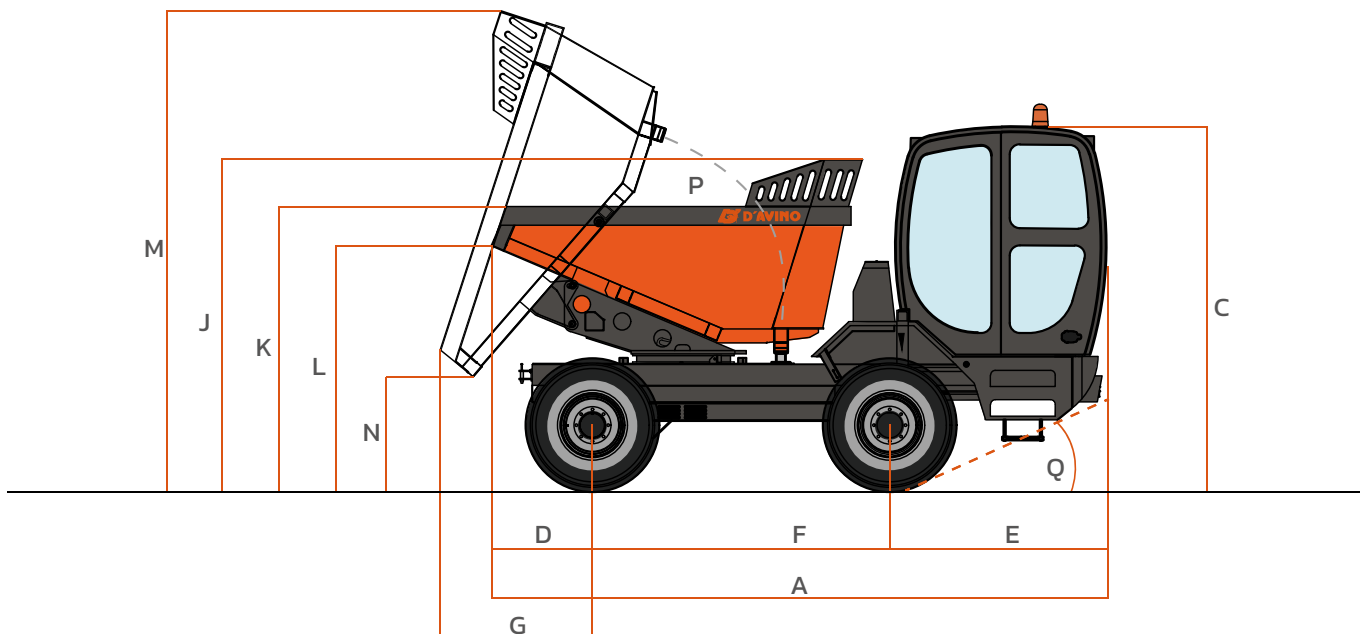




## Technical data

<b>GENERAL DATA</b>		<b>120TW</b>	<b>80TW</b>
Max load capacity	kg	12.000	8.000
Dump body water level capacity	l	3.200	2.400
Dump body struck capacity	l	5.100	2.800
Dump body heaped capacity	l	6.000	3.800
Unloading system		Swivel	Swivel
Drivers'seat		Rotating - Semi-automatic - 3 positions	
Frame		Fixed	Fixed
Empty weight	kg	7.960	5.080
Transmission		Hydrostatic	Hydrostatic
Cabin		Rops-Fops	Rops-Fops
<b>*ENGINE</b>			
Brand		Perkins	Perkins
Model		904J-E36TA	404J-E22TA
Power	kW	90	55
<b>DRIVING</b>			
Max speed	km/h	35	25
Gradeability	%	40	50
Turning radius	mm	5150	4450
Traction		AWS	AWS
Tyres		500/60R22.5	1110x405xR22.5
Axle oscillation lock		Standard	Optional
<b>HYDRAULIC SYSTEM</b>			
Hydraulic system		Duble gear pump	Duble gear pump
Working pressure	bar	140	185
<b>ELECTRICAL SYSTEM</b>			
Starter motor	V/kW	12/4	12/2
Battery	V/Ah	12/50	12/110
<b>TANK CAPACITY</b>			
Fuel	l	175	140
Hydraulic	l	175	140
<b>BRAKES</b>			
Service		Hydraulic acting on both axles	
Parking		Hydraulic acting on the rear axles	
<b>APPROVALS</b>			
Road approval (Italian)		Yes	Yes

\* Stage IIIA engine available



	120TW	80TW
<b>A</b>	5325	4500
<b>B</b>	2500	2250
<b>C</b>	3130	3041
<b>D</b>	885	675
<b>E</b>	1830	1367
<b>F</b>	2580	2132
<b>G</b>	1270	1040
<b>H</b>	1960	1740
<b>I</b>	3255	2430
<b>J</b>	2895	N.A.
<b>K</b>	2445	2266
<b>L</b>	2100	2091
<b>M</b>	4200	3600
<b>N</b>	1010	1403
<b>O</b>	370	389
<b>P</b>	78°	61°
<b>Q</b>	25°	35°
<b>R</b>	5457	4450
<b>S</b>	5010	3975
<b>T</b>	2475	1855



AMOG srl | I-80031 Brusciano (NA) | Tel. +39 081 658 8361 | [sales@davinogroup.biz](mailto:sales@davinogroup.biz)

[davinodumper.com](http://davinodumper.com)